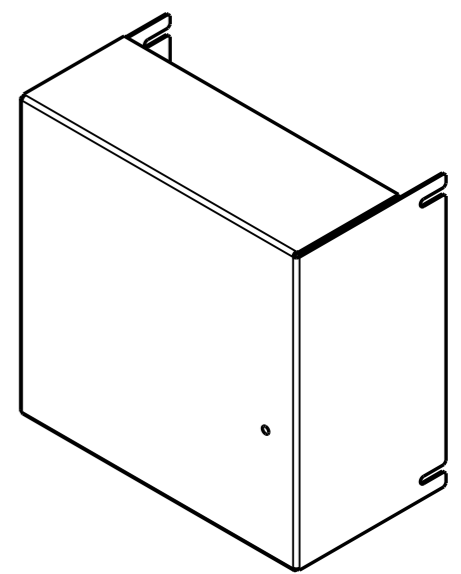
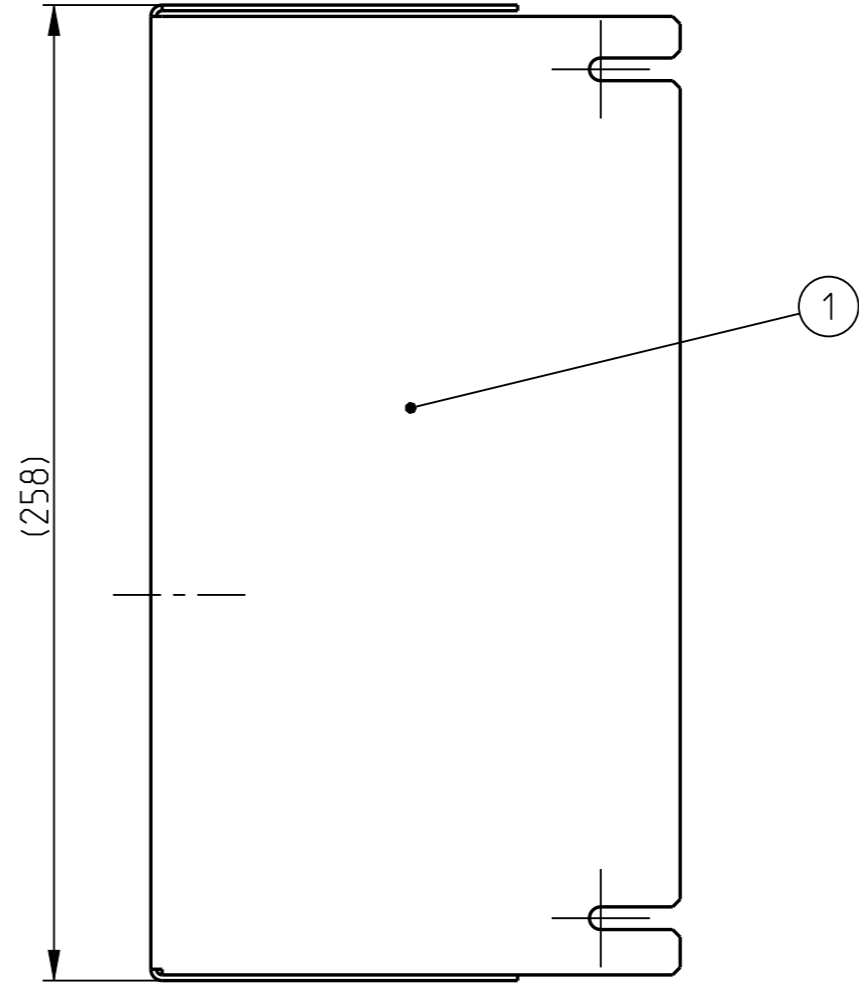
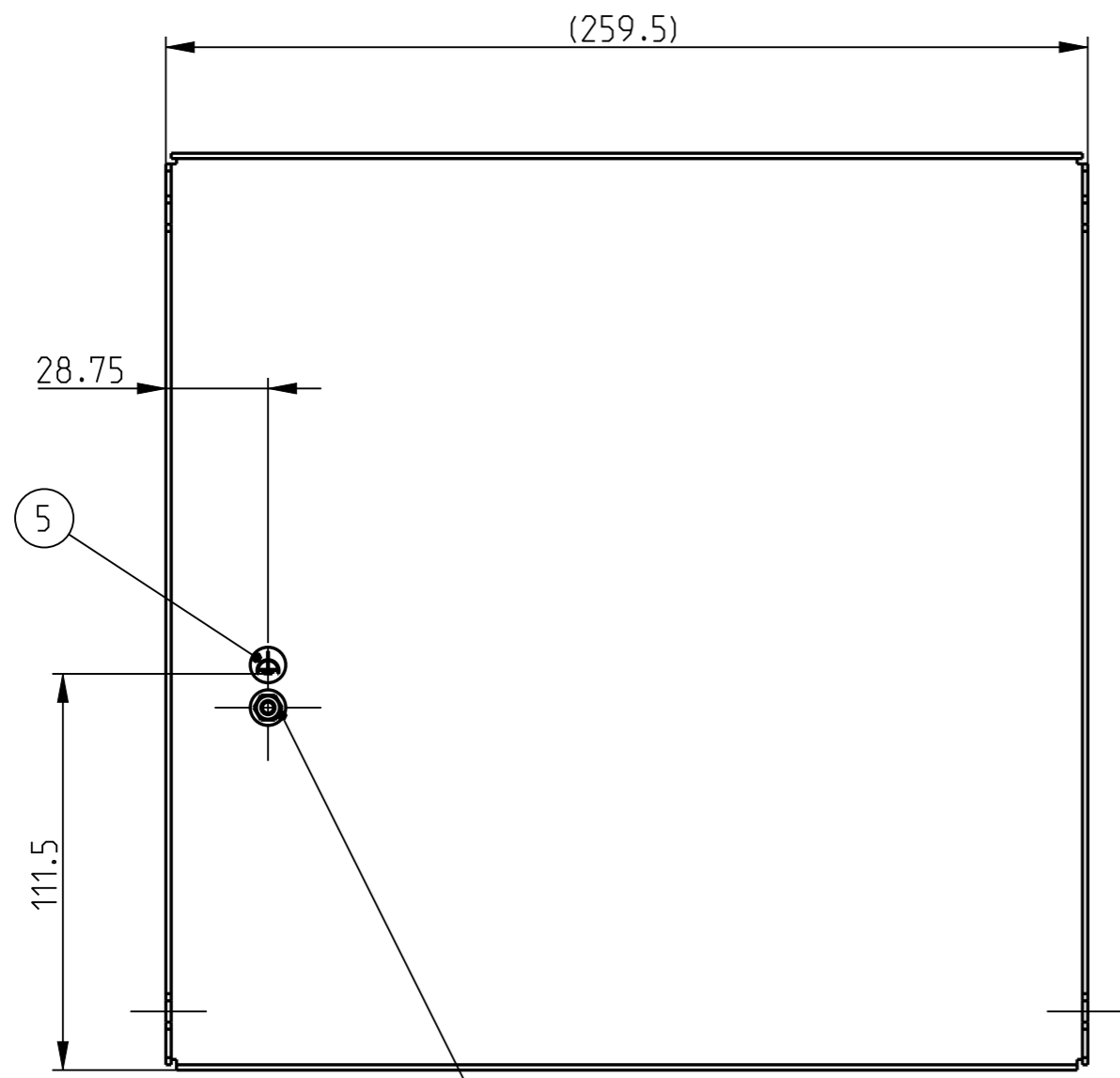
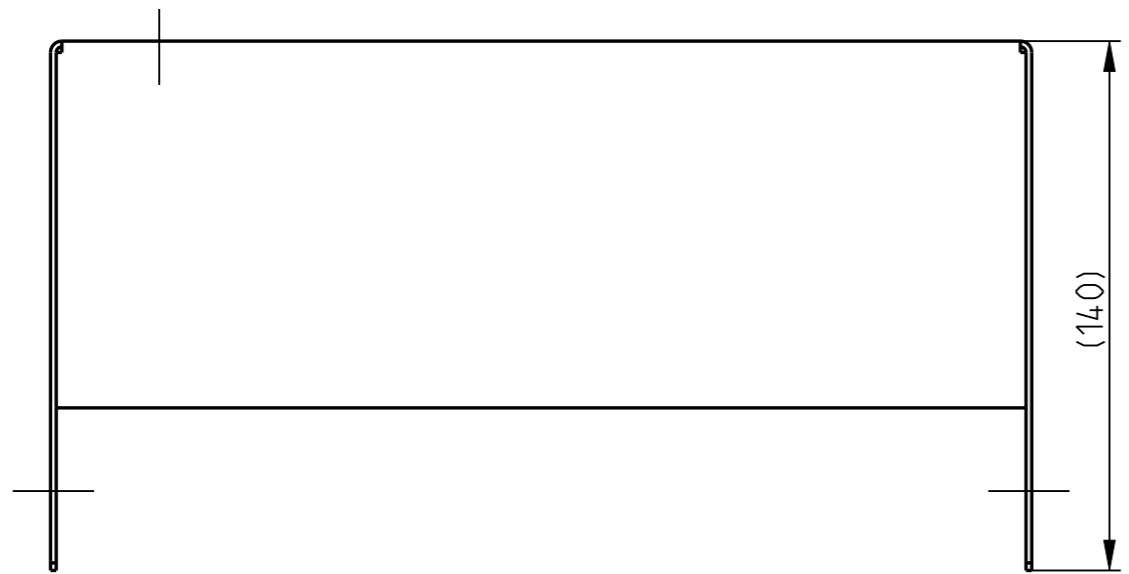


本文件包含受保護之技術資料，未經 INVENTIO AG 之書面同意，不得將其內容或其中之任何部分，以任何形式或方法，向任何第三方披露、複製、散佈、發行、轉讓、或用於其他目的。違反者將受到法律之追究。
 Le présent document contient des informations confidentielles qui sont la propriété du groupe Schindler. Ni ce document, ni les informations contenues dans ce dernier ne doivent être divulgués à des tiers paries, ou utilisés à des fins de fabrication sans l'accord écrit de INVENTIO AG.
 Vertraulich
 Dieses Dokument enthält vertrauliche Informationen, die geistiges Eigentum der Schindler-Gruppe sind. Die in diesem Dokument enthaltenen Informationen dürfen ohne schriftliches Einverständnis der INVENTIO AG weder Dritten gegenüber offengelegt noch für die Fertigung oder sonstigen Zwecken verwendet werden.
 Confidential
 This document contains confidential information that is proprietary to the Schindler Group. Neither this document nor the information contained herein shall be disclosed to third parties nor used for manufacturing or any other application without written consent of INVENTIO AG.

General tolerances	ISO 2768	Forming		Sepa-
		>120	±120	rating
Linear dimension		m	m	
Broken edges	9-32312E	v	c	m
Angular dimension		v	c	
Form and position	9-32313E	L		K



3D View
Scale (1:5)



51979911									2.172		
Ident. No.	Semi finished product / raw material			Semi fin. Ident. No.	Item	Code surface	Heat treatment	Drwg / BOM / Model	Weight Kg.		
Modification					Ae0	Draw Ver.	Related BOM				
KA No.					492956	0.11	Related BOM				
KA Date					2020-05-16	Model Ver.	Related BOM				
						0.11	Release Level	Released			
Group: 01							Remark .		Date	Name	
Door cpl.							Scale	Replaces /Ae:	Prepared	2020-03-11	konishjo
							1:1	.	Reviewed	2020-03-12	tomiatra
VAF INVERTERS								Page	Norms checked	2020-03-12	tomiatra
								1/1	Released	2020-03-12	fernanc15
INVENTIO AG CH-6052 Hergiswil					Classification	Lead Office	Z__44934990		Lang.		
					11220	SA1			EN		
					Format A3						

Copyright © 2017 INVENTIO AG All rights reserved.
 INVENTIO AG, Seestrasse 55, CH-6052 Hergiswil, owns and retains all copyrights and other intellectual property rights in this document. Any reproduction, translation, copying or storing in data processing units in any form or by any means without prior permission of INVENTIO AG is regarded as infringement and will be prosecuted.